

# ANALOG CAPACITIVE ACCELEROMETER WITH CONNECTOR

# DynaLabs

## DYN-C-3000-LN-C

Capacitive accelerometers are based on proven micro-electro-mechanical systems (MEMS) technology.



These capacitive accelerometers are reliable and long-term stable. They have DC response. The advantage of these sensors is their outstanding temperature stability, their high frequency response and their lightweight. These sensors have reliable aluminum housing with IP68 protection class. Additionally, their connectorized design ensures easy integration. Dynalabs 3000LN series triaxial accelerometers provide an outstanding noise performance from 9 to 680  $\mu\text{g}/\sqrt{\text{Hz}}$ . These accelerometers provide a wide frequency range ( $\pm 5\%$ ) from 700 Hz to 2,900 Hz.



### Features

- Accurate DC measurement
- Voltage Output
- High frequency response
- High shock protection
- Low noise - high resolution
- Differential output signal
- Gas damping



### Application Areas

- Structural monitoring and testing
- Aerospace vibration testing
- Automotive ride quality & comfort
- Railway engineering
- GVT and flutter testing

|                               |                                    | 3002LN          | 3005LN          | 3010LN          | 3030LN          | 3050LN          | 3100LN          | 3200LN          |
|-------------------------------|------------------------------------|-----------------|-----------------|-----------------|-----------------|-----------------|-----------------|-----------------|
| Full-scale Acceleration       | (g)                                | $\pm 2$         | $\pm 5$         | $\pm 10$        | $\pm 30$        | $\pm 50$        | $\pm 100$       | $\pm 200$       |
| Sensitivity                   | (mV/g)                             | 1,350           | 540             | 270             | 90              | 54              | 27              | 13.5            |
| Frequency range ( $\pm 5\%$ ) | (Hz)                               | 700             | 1,150           | 2,000           | 2,300           | 2,700           | 2,900           | 2,500           |
| Non-linearity (full scale)    | (%)                                | 0.15            | 0.15            | 0.15            | 0.15            | 0.15            | 0.15            | 0.15            |
| Noise (in band)               | ( $\mu\text{g}/\sqrt{\text{Hz}}$ ) | 9               | 21              | 40              | 100             | 180             | 340             | 680             |
| Bias temperature              | (mg/°C)                            | $\pm 0.2$       | $\pm 0.5$       | $\pm 1$         | $\pm 3$         | $\pm 5$         | $\pm 10$        | $\pm 20$        |
| Shock survivability           | (g)                                | $\pm 3000$ g pk | $\pm 3000$ g pk | $\pm 3000$ g pk | $\pm 3000$ g pk | $\pm 3000$ g pk | $\pm 3000$ g pk | $\pm 3000$ g pk |



#### DYNALABS MUHENDISLIK LTD STI

Ostim OSB Mah. 100 Yil Bulvarı Ostim  
No:55B/11 Yenimahalle 06374 Ankara  
TURKEY

Phone: +90 312 386 21 89

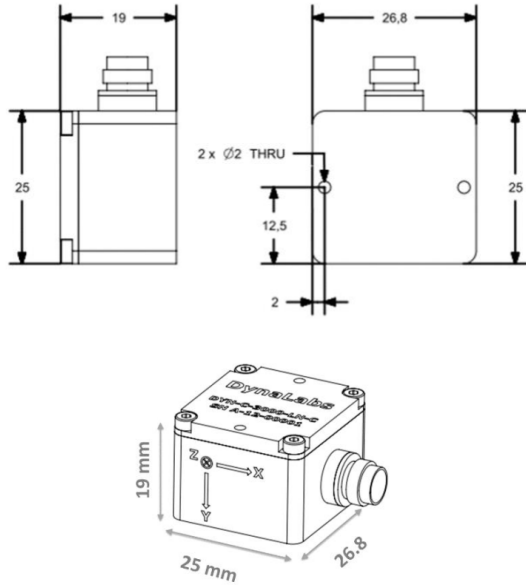
Mail: [dynalabs@dynalabs.com.tr](mailto:dynalabs@dynalabs.com.tr)

Web: [www.dynalabs.com.tr](http://www.dynalabs.com.tr)

# DynaLabs

## ANALOG CAPACITIVE ACCELEROMETER WITH CONNECTOR

### DYN-C-3000-LN-C



#### OPTIONS:

- Custom Cable Length (5m standard cable)
- Custom Housing Material
- Base plate

Standard length of the integrated cable is 5 meters. But, based on request customized cable lengths are possible (10m, 15m, 20m)

#### CABLE CODE/PIN CONFIGURATION:

- Red : V + Supply voltage
- Black : Ground GND
- X-Axis : Yellow : Signal(+) Positive, analog output voltage signal for differential mode  
: Purple : Signal(-) Negative, analog output voltage signal for differential mode
- Y-Axis : Blue : Signal(+) Positive, analog output voltage signal for differential mode  
: Green : Signal(-) Negative, analog output voltage signal for differential mode
- Z-Axis : White : Signal(+) Positive, analog output voltage signal for differential mode  
: Orange : Signal(-) Negative, analog output voltage signal for differential mode

Cable: 8x #28 AWG Conductors PFA Insulated, Braided Shield, TPE Jacket

| Protection Level  | Operating Voltage               | Operating Temperature   | Weight (without cable)       |
|-------------------|---------------------------------|-------------------------|------------------------------|
| IP 68             | 6 V - 40 V                      | -40 °C to +100 °C       | 28 g (aluminum) 55 g (steel) |
| Housing Material  | Connector (Optional)            | Mounting                | Base plate (Optional)        |
| Aluminum or Steel | D-Sub 9 or 15 pin, Lemo, Binder | Adhesive or screw mount | Aluminum or Steel            |



#### DYNALABS MUHENDISLIK LTD STI

Ostim OSB Mah. 100 Yil Bulvarı Ostim  
No:55B/11 Yenimahalle 06374 Ankara  
TURKEY

Phone: +90 312 386 21 89

Mail: [dynalabs@dynalabs.com.tr](mailto:dynalabs@dynalabs.com.tr)

Web: [www.dynalabs.com.tr](http://www.dynalabs.com.tr)